



Sarix® Value Series IR Environmental Fixed Mini Dome Cameras Installation Manual



Document number: C6671M

Publication date: 05/21

Table of Contents

Overview	3
Package Contents	3
POE Requirements	3
Physical Description	4
Outer View	4
Inner View	4
Installing the Hardware	5
Accessing the Camera	8
Supplemental Resources	9
Configuring the Password	9
Adjusting Pan, Tilt, and Rotation	10
LED Definitions	12
Deploying the Camera on a Network	13
Using a PoE-enabled Switch	13
Using a Non-PoE Switch	13
Verifying the Installation	13
Connecting to the Internet Via a Router	14
Troubleshooting	15
Performing a Hardware Reset	15
Pelco Troubleshooting Contact Information	15

Overview

Sarix Value IJV Mini Dome Series cameras are ideal for discreet surveillance with their compact size and design that blends in with surroundings. The Sarix Value Series features excellent image quality with great low light performance, color fidelity and true wide dynamic range (WDR) for increased visibility in difficult lighting situations. And with built-in IR illumination, the camera can provide coverage even in total darkness.

With IP66 and IK10 ratings, the Sarix Value IJV Series can be deployed in a variety of indoor and environmental settings as well as in vandal prone areas.

Package Contents

- IJV223-1ERS / IJV522-1ERS
- Screw pack and side lid
- Alignment sticker
- Quick Installation Guide
- Waterproof cable gland

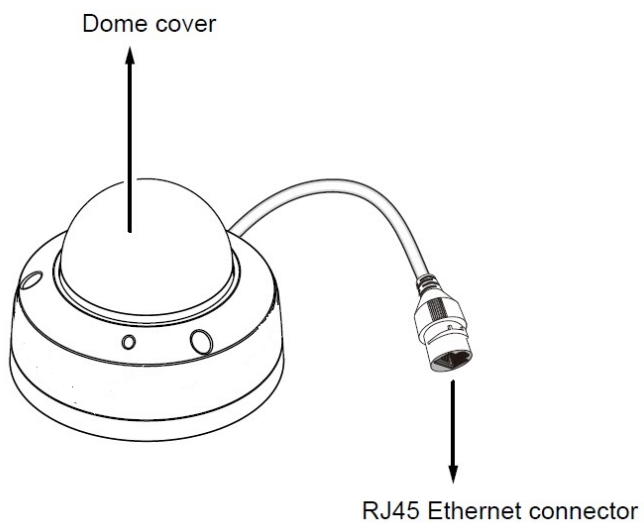
POE Requirements

1. The camera is only to be connected to PoE networks without routing to outside plants.
2. For PoE connection, use only UL listed I.T.E. with PoE output.

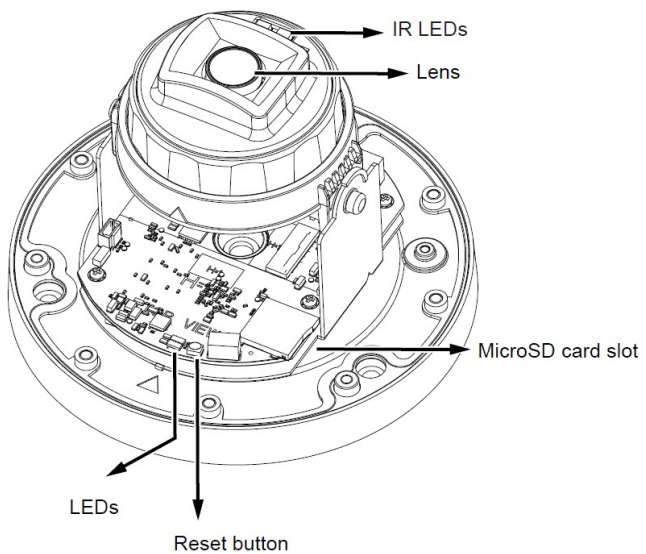
Use the camera only with a PoE source power supply that is UL listed, and limited power source (LPS) certified. The power supply should bear the UL listed and LPS marks. The power supply should also meet any safety and compliance requirements for the country of use.

Physical Description

Outer View

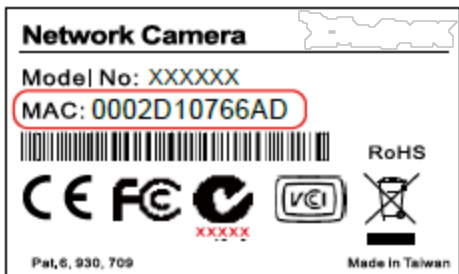


Inner View

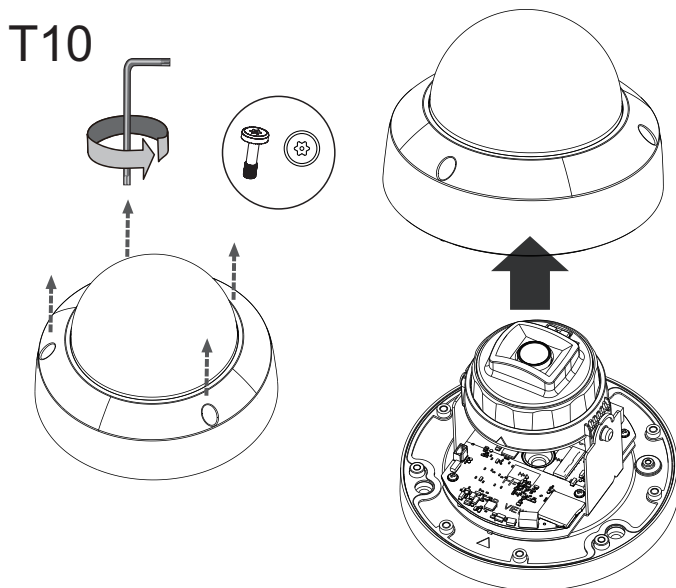


Installing the Hardware

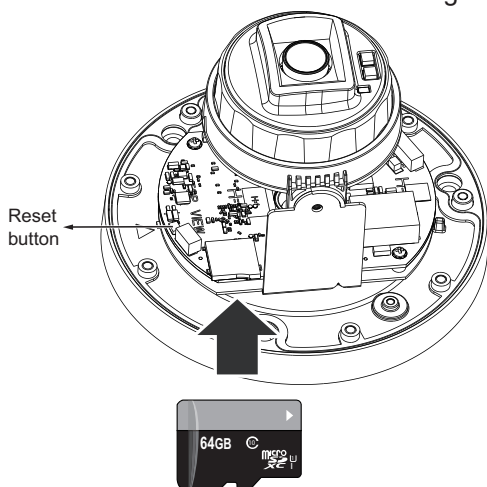
1. Write down the MAC address of the camera for later use.



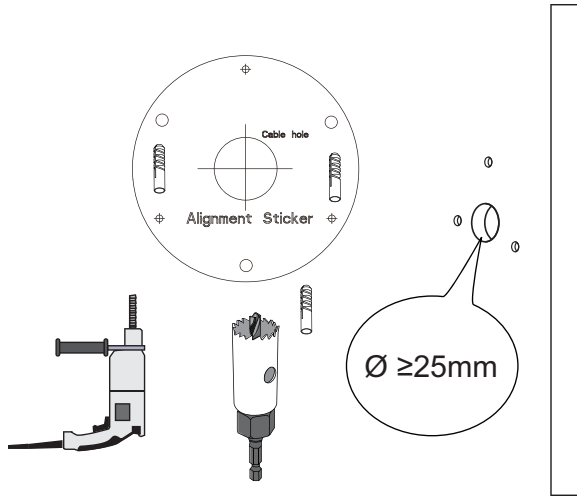
2. Open the top cover by loosening the T10 anti-tamper screws.



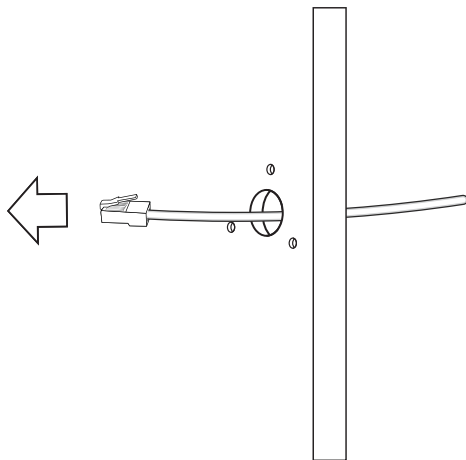
3. Install a MicroSD card if onboard storage is desired.



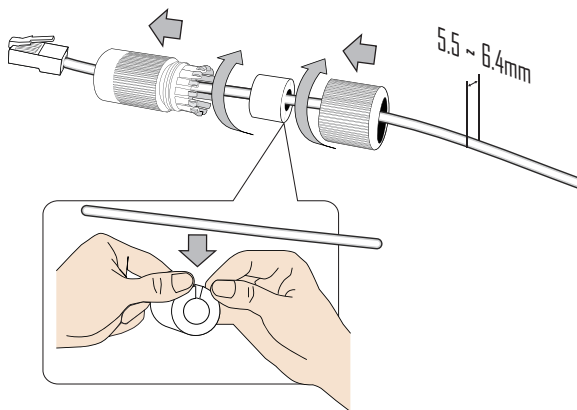
4. Use the alignment sticker to drill mounting holes on the wall or ceiling. Drill a cabling routing hole if preferred.



5. Route an Ethernet cable through the cabling hole.

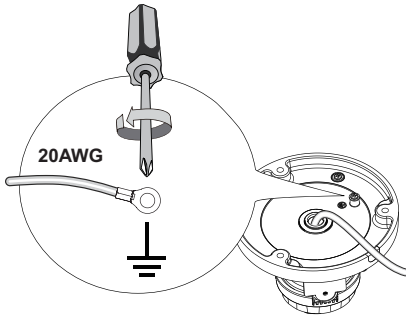


6. Pass an Ethernet cable through the waterproof cable gland components, and through the rubber seal as shown below. Connect the Ethernet cable to the camera's RJ45 connector.

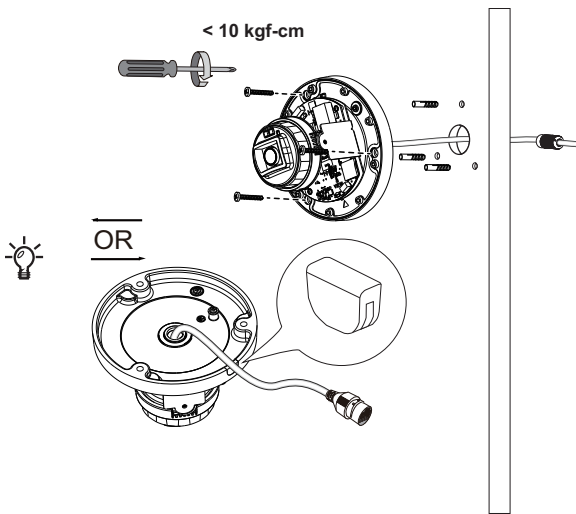



7. Install the seal ring and tighten the waterproof components.

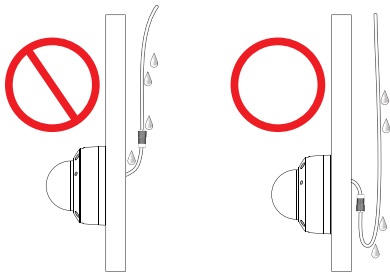
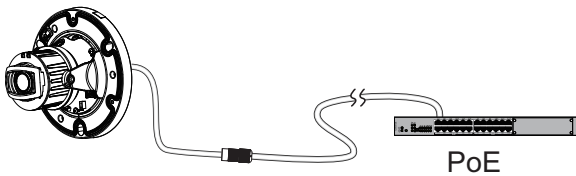
8. Connect a ground wire to the grounding position at the back of the camera using the included screw.



9. Install the camera to wall using the included screws. Note that if a routing hole through wall is not possible, you can also route through the side opening.



10.  **Note:** It is always a good practice to form a drip loop on cables. Moisture condensation or dripping water can eventually cause problems without the drip loop.



Accessing the Camera



Note: For security purposes, it is required that you create a user password when you access the camera for the first time.

- In its out-of-the-box configuration, the camera has a user name of "root" and no password assigned. In this state the camera does not allow for video to stream or configurations to change. It is required that you set an administrative user password at this time. Creation of an administrative user password changes the state of the camera to its "operational mode," where credentials must be provided in order to view live video or change its configuration.
- There is no provision for recovering a forgotten administrator user name or password. The camera can be restored to its out-of-the-box, no user name and password configuration by powering down, depressing the Factory Defaults button, and holding the button down for at least four seconds while power the camera back up.
- If a user name and password exists, a Login page is presented when the camera is accessed.

The recommended browsers for your camera are the latest version of Microsoft™ Edge™, Google Chrome™ browser, or Mozilla® Firefox®. For supported browser versions, refer to the specification sheet.

1. Discover the camera in VxToolbox.
2. Use the IP address of the discovered camera and enter it into a web browser.



Note: You can obtain your camera's IP address or access the camera using VxToolbox software. If DHCP is enabled but a DHCP server is not on the network, the camera will use a standard Zeroconf algorithm setting it's IP address at some address in the 169.254.1.0 to 169.254.254.255 range. To find the camera, you need to set up a NIC to an address like 169.254.0.1, and a netmask of 255.255.0.0. Then use any WS Discovery tool to find the camera.

3. Using one of the recommended browsers, you will be prompted to create an admin password. The first (admin) user is hard coded as "root." and cannot be changed.
4. Commission the camera in VxToolbox and enter camera credentials.

Supplemental Resources

All Sarix Value Series supplemental resources (e.g. firmware, documentation, VxToolbox, and Device Utility) are available in one location: www.pelco.com/sarix-value.

Configuring the Password

The first time you log in to the camera, the firmware will prompt you for a password. Protecting your camera with a password can deter most cyber attacks.

To configure the password:

1. Type in a combination of alphabetic and numeric characters to fulfill the password strength requirement. The default name for the camera administrator is “root”, and can not be changed.

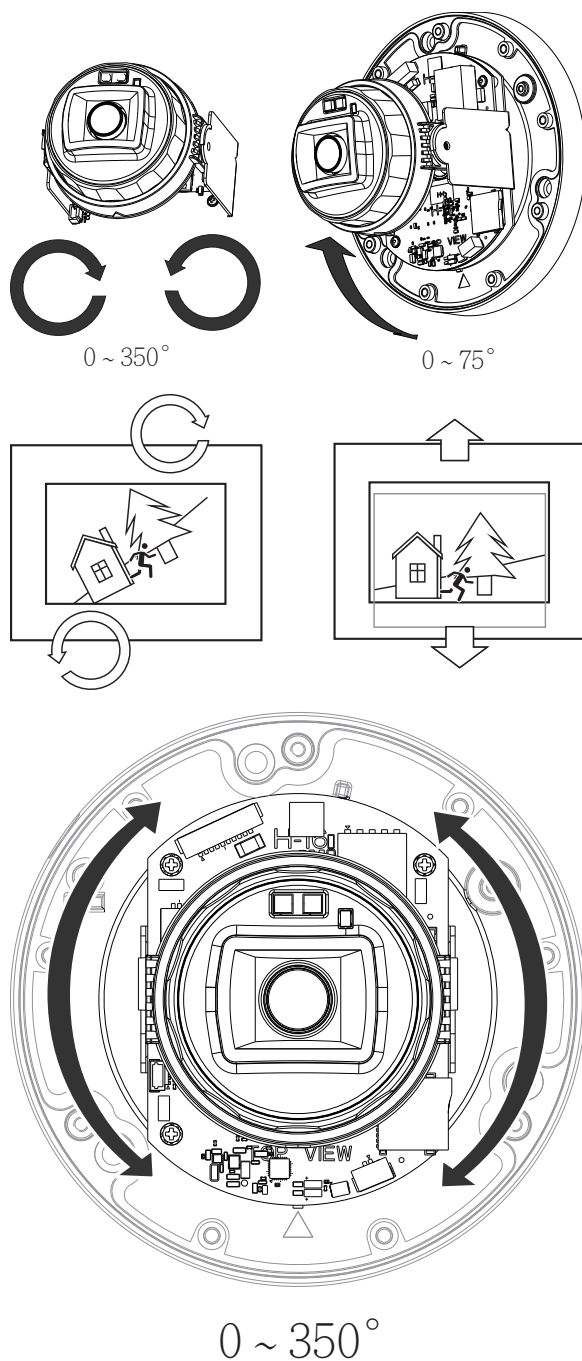


Note: Some, but not all, special ASCII characters are supported. Characters you can use in the password combination include: !, \$, %, -, ., @, ^, _, and ~.

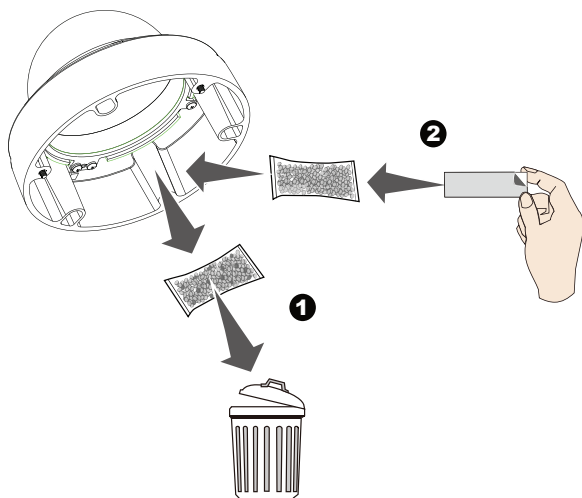
2. Click **Save**.
3. In the confirmation dialog box, type in the user name and password, and then click **OK**.

Adjusting Pan, Tilt, and Rotation

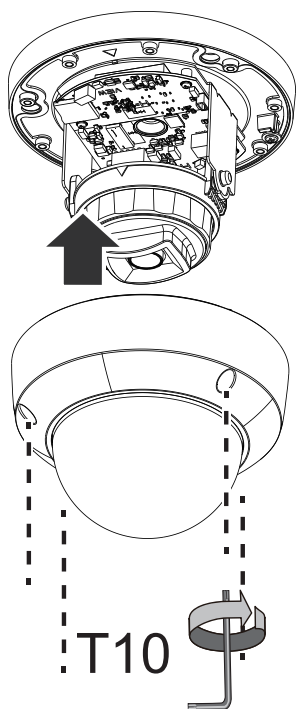
1. With a live view on your computer, rotate, pan, or tilt the camera until you acquire an optimal field of view.



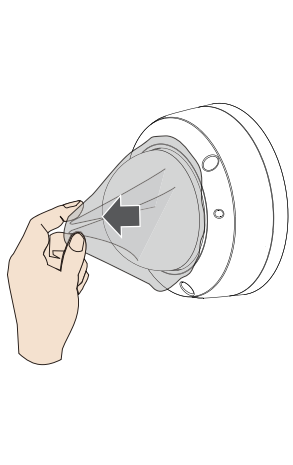
2. Replace the desiccant from the inside of the dome cover.



3. Install the dome cover.



4. Remove the protective sheet from the dome cover.



5. Open a web console. From the web console, open the firmware configuration page. You will see a live stream on screen. If desired, you can zoom in on the scene. Use the "Perform Auto Focus" function to automatically obtain a best image focus. Check the live view to ensure the image is in focus.

LED Definitions

LED Status	Description
Steady Red	Powered and system booting, or network failed.
Red LED off	Power off.
Green LED off	Network is disconnected.
Steady Red and Green LED blinks every 1 second.	Connected to network.
Green LED blinks every 1 sec. and RED LED blinks consecutively every 0.15 second.	Upgrading firmware.
Green and RED blink every 0.15 sec, Green and RED light on, then blink again.	Restoring defaults.
RED LED is on, Green LED blinks and RED LED is constantly on.	Status after a reset (network connected).
Green and RED LEDs are constantly on.	tatus after a reset (network disconnected)

Deploying the Camera on a Network

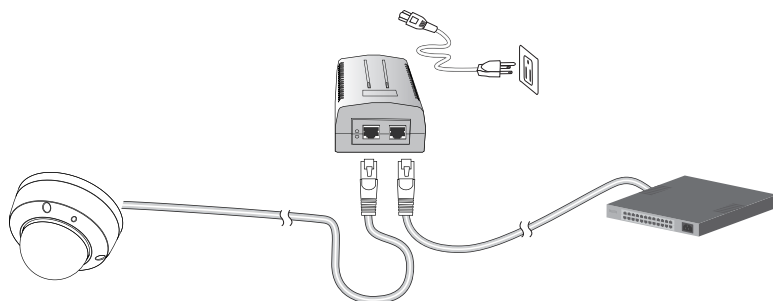
Using a PoE-enabled Switch

The Network Camera is PoE-compliant, allowing transmission of power and data via a single Ethernet cable. Follow the below illustration to connect the Network Camera to a PoE-enabled switch via Ethernet cable.



Using a Non-PoE Switch

Use a PoE power injector (optional) to connect between the Network Camera and a non-PoE switch.



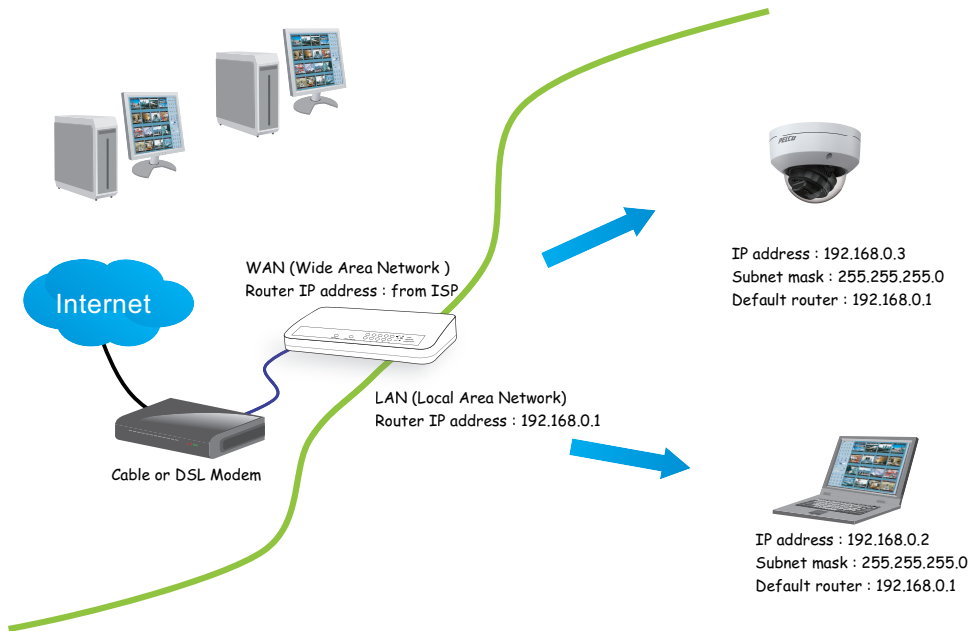
Verifying the Installation

1. Using a supported browser, navigate to the network camera.
2. Verify that you can view live video from the camera.

Connecting to the Internet Via a Router

Before setting up the Network Camera over the Internet, make sure you have a router and connect it as described in this section.

1. Connect your Network Camera behind a router, as shown below, using the correct IP addresses, subnet masks, and routers addresses for your installation. The IP addresses in the image are examples only.



2. If the Local Area Network (LAN) IP address of your Network Camera is 192.168.0.3, forward the following ports for the Network Camera on the router.
 - HTTP port: default is 80
 - RTSP port: default is 554
 - RTP port for video: default is 5556
 - RTCP port for video: default is 5557
3. If you have changed the port numbers on the Network page, open the ports accordingly on your router. For information on how to forward ports on the router, please refer to your router's user manual.
4. Find out the public IP address of your router provided by your ISP (Internet Service Provider). Use the public IP and the secondary HTTP port to access the Network Camera from the Internet. See the current *Sarix Value Series Operations Manual*, section titled *Configuring the Network General Settings*.
5. If you are required to do so, connect to the internet using a static IP for the Network Camera.
6. If you are connected to the Internet via a DSL line, connect to the internet using PPPoE (Point-to-Point over Ethernet).
7. Configure the router, virtual server, or firewall so that the router can forward any data coming into a preconfigured port number to a network camera on the private network, and allow data from the

camera to be transmitted to the outside of the network over the same path.

If, for example, the router and IP settings are as presented in this table:

Device	IP address: internal port	IP address: external port (mapped port on the router)
Public IP of router	122.146.57.120	N/A
LAN IP of router	192.168.2.1	N/A
Camera 1	192.168.2.10:80	122.146.57.120:8000
Camera 2	192.168.2.11:80	122.146.57.120:8001

Then:

- Camera 1 data is forwarded from 122.146.57.120:8000 to 192.168.2.10:80.
 - Camera 2 data is forwarded from 122.146.57.120:8001 to 192.168.2.11:80.
 - Access a camera behind the router using the HTTP request `http://122.146.57.120:8000`.
8. If you change the port numbers on the Network configuration page, open the ports accordingly on your router.

For example, you can open a management session with your router to configure access through the router to the camera within your local network. Contact your network administrator for router configuration, if you need to troubleshoot.

For more information with network configuration options (such as that of streaming ports), see the current *Sarix Value Series Operations Manual*, section titled *Configuring the Network Settings*.

Troubleshooting

Performing a Hardware Reset

The reset button is used to reset the system or restore the factory default settings. Sometimes resetting the system can return the camera to normal operation. If system problems remain after performing a hardware reset, restore the camera to the factory settings and configure it again.

- To perform a Hardware Reset, press the recessed reset button, and then wait for the Network Camera to reboot.
- To Restore a camera to the factory settings, press and hold the reset button until the status LED rapidly blinks. When the settings are restored, the status LED will blink green and red during normal operation.



Caution: All settings will be restored to the factory default settings when you press and hold the reset button.

Pelco Troubleshooting Contact Information

For further assistance, contact Pelco Product Support at 1-800-289-9100 (USA and Canada) or +1-559-292-1981 (international).

Do not try to repair the unit yourself. Leave maintenance and repairs to qualified technical personnel only.



Pelco, Inc.
625 W. Alluvial Ave., Fresno, California 93711 United States
(800) 289-9100 Tel
(800) 289-9150 Fax
+1 (559) 292-1981 International Tel
+1 (559) 348-1120 International Fax
www.pelco.com

Pelco, the Pelco logo, and other trademarks associated with Pelco products referred to in this publication are trademarks of Pelco, Inc. or its affiliates. ONVIF and the ONVIF logo are trademarks of ONVIF Inc. All other product names and services are the property of their respective companies. Product specifications and availability are subject to change without notice.

© Copyright 2022, Pelco, Inc. All rights reserved.