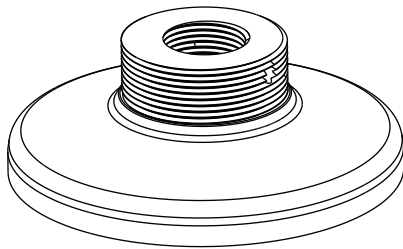


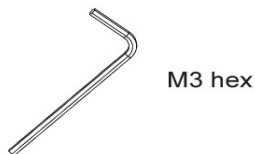
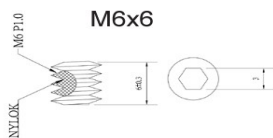
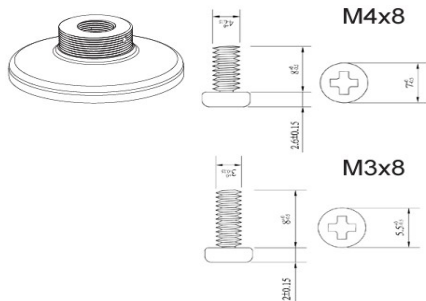
# IJTFV-PA & IMV-PA Pendant Mount Adapters

## Installation Guide

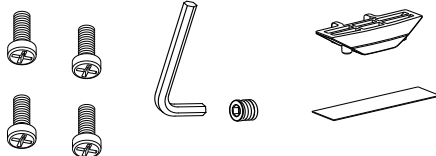
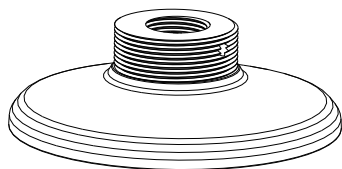


**C6694M**

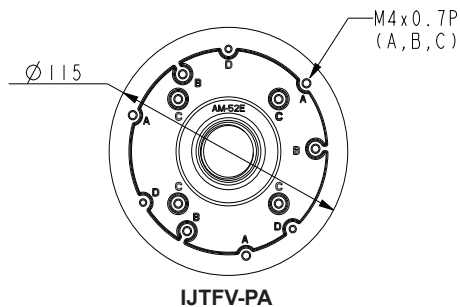
## IJTFV-PA Mounting Adapter Contents



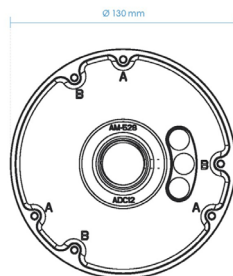
## IMV-PA Mounting Adapter Contents



## Dimensions



IJTFV-PA

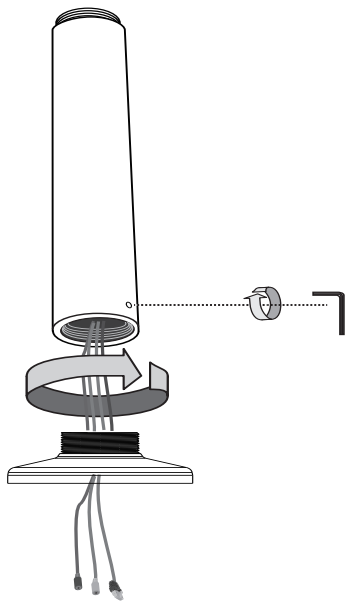


IMV-PA

| Accessory | Compatible Cameras                              |
|-----------|---|
| IMV-PA    | IMV Series Only                                 |
| IJTFV-PA  | A: IJV Series<br>B: ITV Series<br>C: IFV Series |

## Installing to SRXV-PP Pendant Pipe

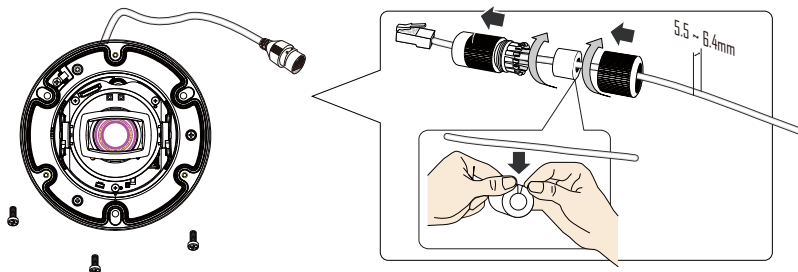
1. Install Pendant Pipe according to QIG included with SRXV-PP
2. Attach the pendant mounting adapter to the pipe by rotating it clockwise until it is tightly fastened.
3. Tighten the retention screw using the included hex wrench.



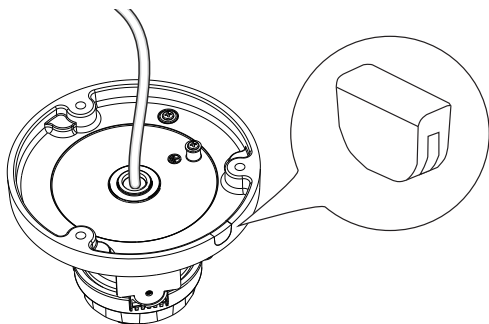
### WARNING:

1. Select a suitable location where the camera is free from accidental damage, tampering, or harsh environmental conditions.
2. Locate a place for the installation where the camera can not be intentionally or unintentionally interfered.
3. Select a solid and flat mounting surface that can support the combined weight of the camera and associated hardware. Vibration and temperature range should also be taken into consideration.

4. Pull the cables through the pendant pipe, and install the waterproof cable gland. Install the camera using the corresponding mounting holes.

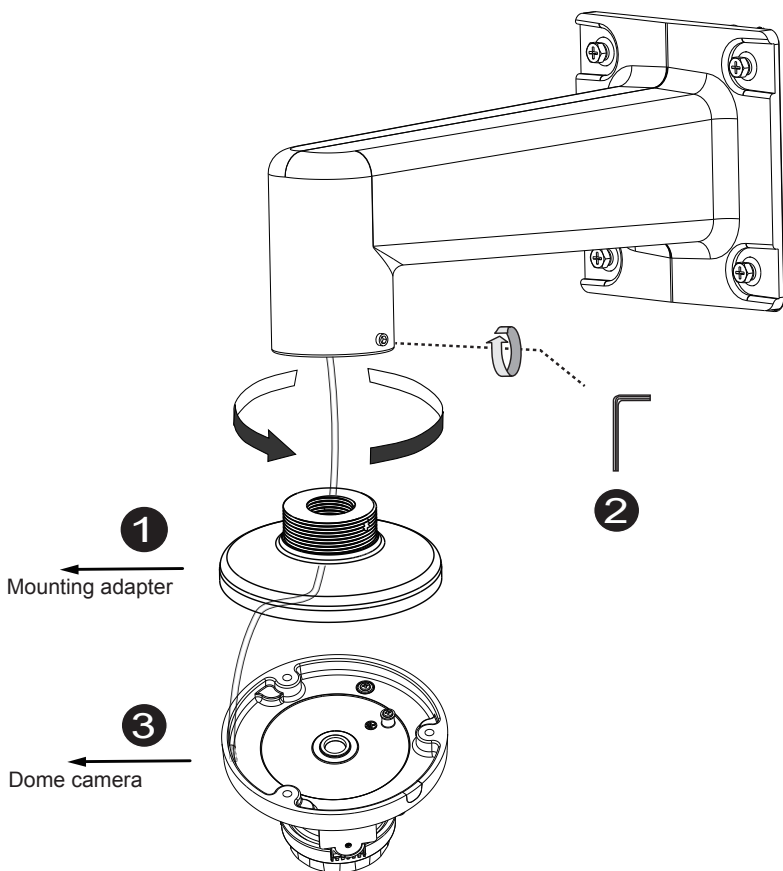


**NOTE:** Some cameras come with a side-routing cutout. Use the included side lid to seal the cutout.



## Installing to SRXV-WMP

1, Attach the mounting adapter to the bracket by rotating it clockwise until it is tightly fastened.



2. Use a hex wrench to secure the mounting adaptor to the wall-mount bracket.
3. When cabling is done, proceed with initial setup such as enabling network access, focus tuning, or zooming. When done, secure the outer dome cover.

**Pelco, Inc.**  
625 W. Alluvial, Fresno, California 93711 United States  
**USA & Canada** Tel (800)289-9100 Fax (800) 289-9150  
**International** Tel +1 (559) 292-1981 Fax +1 (559) 348-1120  
[www.pelco.com](http://www.pelco.com)