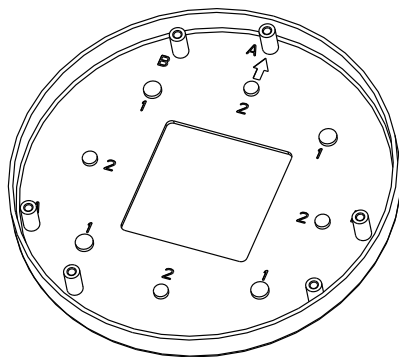


# IMV-AP AND IJTV-AP Junction Box Adapter Plate

Installation Guide

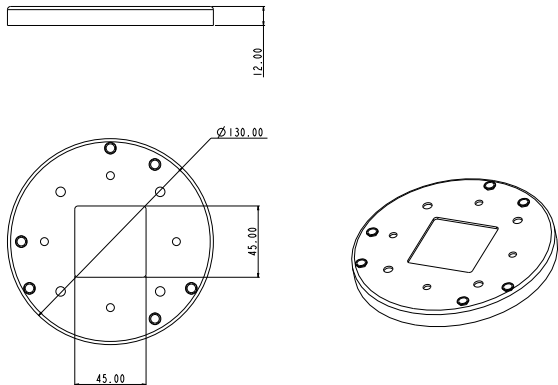


**C6696M**

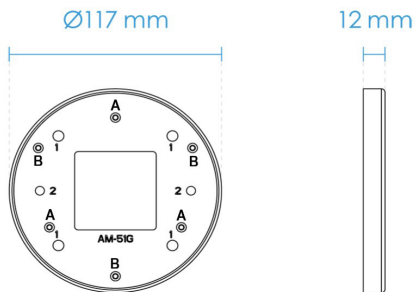
**IMV-AP Package Contents:** Adapter Plate, Installation Guide, 3x panhead M3x7, double-sided tape, plastic stopper

**IJTV-AP Package Contents:** Adapter Plate Installation Guide, 3x Panhead M4x7

### IMV-AP Dimensions



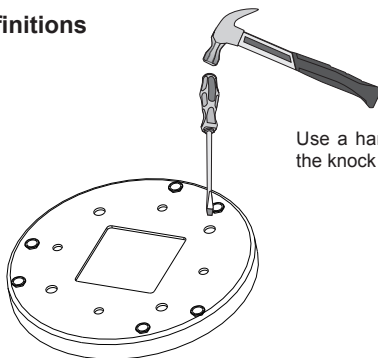
### IJTV-AP Dimensions



Accessories	Compatible Cameras
IMV-AP	IMV Series only
IJTV-AP	A: ITV Series B: IJV Series

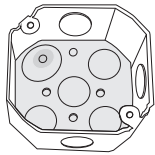
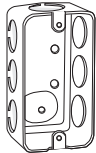
## Installation


### Mounting Hole Definitions



Use a hammer and screwdriver to open the knock out holes you prefer to use.

Above are the locations of different groups of mounting holes for matching different junction boxes:

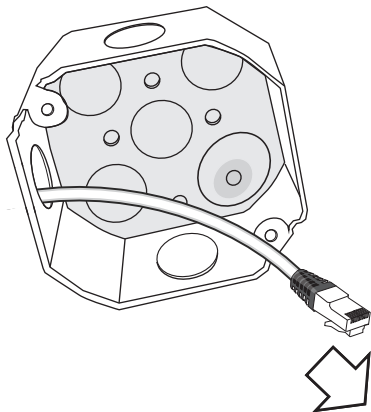
Hole Type	Applicable Box	Drawings	Screw	No. of screws
1	4" octagon box		#8-32, L15 (User-supplied)	2
2	1" single gang box		#6-32, L15 (User-supplied)	2

 **NOTE:**

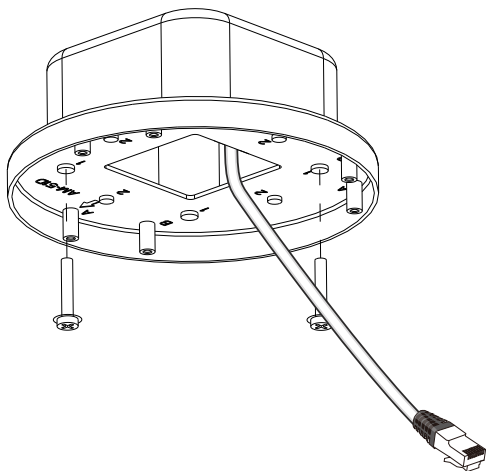
1. Route cables before you secure the accessories to a wall.
  2. For details on the cable connections with network cameras, please refer to their Quick Installation Guide.
- 

## Installing the Adapter Plate

1. Route cables through the junction box.

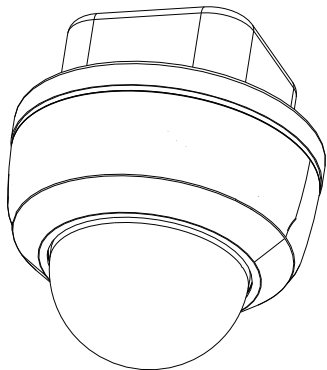


2. Install the adapter plate to the junction box. Use screw holes specified on page 3 depending on the type of junction box.



3. Remove dome cover of camera and fasten camera to adapter plate.

4. Tune the focus, and refer to the documentation that came with your cameras for the rest of configuration details. Install the dome cover.



**Pelco, Inc.**

625 W. Alluvial, Fresno, California 93711 United States

**USA & Canada** Tel (800) 289-9100 Fax (800) 289-9150

**International** Tel +1 (292-1981 Fax +1 (559) 348-1120

**[www.pelco.com](http://www.pelco.com)**