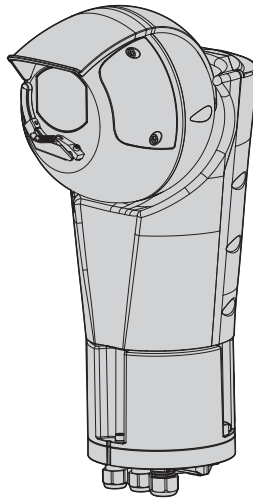


Esprit® Compact

PTZ camera with high performance and extreme reliability



Contents

1 About this manual	2
1.1 Typographical conventions	2
2 Notes on copyright and information on trademarks	2
3 Safety rules	2
4 Product description and type designation	4
4.1 Product overview	4
4.2 Product marking label.....	4
5 Preparing the product for use	5
5.1 Safety precautions before use.....	5
5.2 Unpacking.....	5
5.3 Contents	5
5.4 Safely disposing of packaging material.....	5
6 Installation	6
6.1 Opening the base of the product	6
6.2 Mounting the bracket	6
6.3 Cable management.....	6
6.4 Fixing the base to the support.....	6
6.5 Fastening of the safety coupling.....	7
6.6 Connector board description	7
6.7 Connecting the power supply	8
6.7.1 24Vac/24Vdc power supply.....	8
6.7.2 PoE 90W power supply.....	8
6.8 Alarms and relays connections	9
6.9 Ethernet cable connection	9
6.10 Installation of the upper body	9
7 Switching on	10
8 Maintenance	10
9 Cleaning	10
9.1 Cleaning of the window and external surfaces of the product	10
10 Information on disposal and recycling	10


1 About this manual


 The complete installation manual can be downloaded from the website PELCO: pelco.com/products.


 Refer to the figures at the end of this manual when reading the Quick Start Guide.


Read all the documentation supplied carefully before installing and using this product. Keep the manual in a convenient place for future reference.

1.1 Typographical conventions

 **DANGER!**
High level hazard.
Risk of electric shock. Disconnect the power supply before proceeding with any operation, unless indicated otherwise.

 **DANGER!**
Mechanical hazard.
Risk of crushing or shearing.

 **CAUTION!**
Medium level hazard.
This operation is very important for the system to function properly. Please read the procedure described very carefully and carry it out as instructed.

 **INFO**
Description of system specifications. We recommend reading this part carefully in order to understand the subsequent stages.

2 Notes on copyright and information on trademarks

Pelco, the Pelco logo, and other trademarks associated with Pelco products referred to in this publication are trademarks of Pelco, Inc. or its affiliates.

Other names or logos mentioned herein may be the trademarks of their respective owners.

The absence of the ™ and ® symbols next to each trademark in this document or in general does not constitute a declaration of non-ownership of the relative trademark.

Covered by one or more claims of the patents listed at patentlist.hevcadvance.com.

The mentioned names of products or companies are trademarks or registered trademarks.

Microsoft Edge®, Windows XP®, Windows Vista®, Windows 7®, Windows 8®, Windows 10® are the property of Microsoft Corporation.

INTEL® Core™ 2 Duo, INTEL® Core™ 2 Quad, INTEL® Xeon® are the property of Intel Corporation.


ONVIF® is a trademark of Onvif, Inc.

3 Safety rules

 **CAUTION! Hazardous moving parts. Keep fingers and other body parts away.**

 **CAUTION! Device installation and maintaining must be performed by specialist technical staff only.**

 **CAUTION! TNV-1 installation type. The installation is type TNV-1, do not connect it to SELV circuits.**

 **CAUTION! In order to reduce the risk of fire, only use UL Listed or CSA certified cables with sections greater than or equal to 0.14mm² (26AWG).**



CAUTION! The infrared LED illuminator emits high-intensity invisible light. For further details on configuration and use, refer to the illuminator accessory manual.



CAUTION! The white LED illuminator emits high intensity light. For further details on configuration and use, refer to the illuminator accessory manual.



During normal operation the surface of the illuminator can reach high temperatures. Do not allow direct contact and position the appliance where it is inaccessible to unauthorised persons. Before touching, switch off the illuminator and allow to cool for a minimum period of 10 minutes.

- Before starting any operation, make sure the power supply is disconnected.
- The equipment is intended for installation in a Restricted Access Area by specialist technical staff.
- The manufacturer declines all responsibility for any damage caused by an improper use of the appliances mentioned in this manual. Furthermore, the manufacturer reserves the right to modify its contents without any prior notice. The documentation contained in this manual has been collected and verified with great care. The manufacturer, however, cannot take any liability for its use. The same thing can be said for any person or company involved in the creation and production of this manual.
- Be careful not to use cables that seem worn or old.
- Never, under any circumstances, make any changes or connections that are not shown in this handbook. Improper use of the appliance can cause serious hazards, risking the safety of personnel and of the installation.
- Use only original spare parts. Non-original spare parts could cause fire, electrical discharge or other hazards.
- Before proceeding with installation, check the supplied material to make sure it corresponds to the order specification by examining the identification labels (4.2 Product marking label, page 4).
- This device was designed to be permanently secured and connected on a building or on a suitable structure. The device must be permanently secured and connected before any operation.
- In the case of a 24Vac power supply, you must provide for adequate separation from the AC power supply line using double or reinforced insulation between the main power supply line and the secondary circuit.
- A power disconnect device must be included in the electrical installation, and it must be very quickly recognizable and operated if needed.
- This is a Class A product. In a domestic environment this product may cause radio interference. In this case the user may be required to take adequate measures.
- Connect the device to a power source corresponding to the indications given on the marking label. Before proceeding with installation make sure that the power line is properly isolated. The power supply voltage must not exceed the limits: 24Vac $\pm 10\%$, 24Vdc $\pm 10\%$.
- The separate protective earthing terminal provided on this product shall be permanently connected to earth.
- Use a Class 2 listed UL transformer, compliant with the Standards in force, only for products marked UL, powered at 24Vac.
- If it is necessary to transport the device, this should be done with great care. Abrupt stops, bumps and violent impact could damage the unit or injure the user.

- To comply with the main supply voltage dips and short interruption requirements, use a suitable Uninterruptible Power Supply (UPS) to power the unit.
- The Cat5e/Cat6 shielded (STP) Ethernet cable is required to fully comply with EMC regulatory standards.
- To meet the requirements of the EN 50121-4 Railway Applications Standard, use an external power supply or PoE injector that is also compliant with EN 50121-4.
- The appliance includes moving parts. Make sure that the unit is positioned where it is inaccessible under normal operating conditions.
- Attach the Dangerous Moving Parts label near the device. (Fig. 1, page 5).
- Do not use the appliance in the presence of flammable substances.
- Do not allow children or unauthorised people to use the appliance.
- The device can only be considered to be switched off when the power supply has been disconnected and the connection cables to other devices have been removed.
- Only skilled personnel should carry out maintenance on the device. When carrying out maintenance, the operator is exposed to the risk of electrocution and other hazards.
- Use only the accessories indicated by the manufacturer. Any change that is not expressly approved by the manufacturer will invalidate the warranty.
- Take all necessary precautions to prevent the apparatus from being damaged by electrostatic discharge.
- The unit has been made for connection using a three-core cable. To make a correct connection to the earth circuit, follow the instructions in this handbook.
- Handle the unit with great care, high mechanical stress could damage it.

4 Product description and type designation

4.1 Product overview

The product consists of the following parts (Fig. 2, page 11):

1. Sunshield.
2. Body.
3. Base.

4.2 Product marking label



Before proceeding further with installation, make sure the material supplied corresponds to the order specification by examining the marking labels.




The product has a label applied in compliance with CE marking (Fig. 3, page 11).

The label shows:

- Model identification code.
- Supply voltage (Volt).
- Frequency (Hertz).
- Current consumption (Ampere) or power consumption (Watt).
- Protection degree (IP).
- Serial number.

5 Preparing the product for use

 **Any change that is not expressly approved by the manufacturer will invalidate the warranty.**

5.1 Safety precautions before use



 **The appliance includes moving parts. Make sure that the unit is positioned where it is inaccessible under normal operating conditions. Attach the warning label supplied with the appliance, placing it near the unit so that it can be seen easily.**



Fig. 1

5.2 Unpacking

 **A thin oil film due to the gasket may be present on the unit. This oil film does not alter the mechanical performance of the unit. Refer to the cleaning instructions in the relevant chapter (9 Cleaning, page 10).**

When the product is delivered, make sure that the package is intact and that there are no signs that it has been dropped or scratched.

If there are obvious signs of damage, contact the supplier immediately.

When returning a faulty product we recommend using the original packaging for shipping.

Keep the packaging in case you need to send the product for repairs.

5.3 Contents

Check the contents to make sure they correspond with the list of materials as below:

- Esprit® Compact camera
- Sunshield
- Accessories package:
 - Allen wrench
 - Power connector
 - I/O connector
 - Label (CAUTION: Hazardous moving parts)
 - Reduction gasket, for alarm cable, for cable glands M16
 - Reduction gasket, for Ethernet cable with pre-assembled connector, for cable gland M20
- Instruction manual
- Plate for safety chain coupling
- Screw for sunshield fastening

5.4 Safely disposing of packaging material

The packaging material can all be recycled. The installer technician will be responsible for separating the material for disposal, and in any case for compliance with the legislation in force where the device is to be used.

6 Installation

6.1 Opening the base of the product

To avoid scratching the product with the hexagonal wrench, align the groove on the body of the product with the screw before screwing it in (Fig. 4, page 11).

Unscrew the three screws at the bottom of the product (Fig. 5, page 11).

6.2 Mounting the bracket



Take special care when attaching and fastening down the apparatus. If it is to be attached to a concrete surface you must use dowel pins with a traction torque rating of at least 300dN each. For a metal surface use screws with a diameter of at least 8mm and of an appropriate length. The fastening system must be capable of supporting at least 4 times the weight of the entire equipment (product, accessories, supports and adapters).



The device should be assembled vertically. Any other position could impair the performance of the appliance.

Various types of optional mounts and accessories are available.

Choose the mounting accessories for the installation you want to implement.

Install the optional mounts and accessories by following the instruction manuals provided with the bracket or accessory.

6.3 Cable management



The cables must be adequately fastened to the structure to avoid causing the cables to be accidentally unplugged.



You must use cables suited to the type of installation you are using.



Multipolar cable sheath diameter:

Cable glands M16: from 4.5mm (0.2in) up to 10mm (0.4in).

Cable glands M20: from 8mm (0.3in) up to 13mm (0.5in).

Insert the cables into the cable glands (Fig. 7, page 12).

If the cable has a pre-assembled connector, replace the gasket inside the cable gland with the one supplied. Insert the Ethernet cable in the gasket as illustrated in the figure (Fig. 6, page 12). Pass the cable with connector RJ45 through the M20 cable gland.

Tighten the cable glands.



Pay attention to the fixing. Tightening torque : 1.5Nm (± 0.2 Nm) for M16 cable glands, 2Nm (± 0.2 Nm) for M20 cable glands.

If a cable gland does not have a cable inserted, a specific cap must be inserted for closure. Always close the cable glands with the stated tightening torque.

6.4 Fixing the base to the support



For further details on installing the camera with brackets and accessories, refer to the manual provided with the bracket or accessory.

6.5 Fastening of the safety coupling



Take special care when attaching and fastening down the apparatus. If it is to be attached to a concrete surface you must use dowel pins with a traction torque rating of at least 300dN each. For a metal surface use screws with a diameter of at least 8mm and of an appropriate length. The fastening system must be capable of supporting at least 4 times the weight of the entire equipment (product, accessories, supports and adapters).

The product is equipped with a safety coupling to secure the product to a second fixing point through a safety chain or cable.

Position the safety coupling and fix it with the screw and the washer supplied as shown in the figure (Fig. 8, page 12).



Use an external anchor point to fix the chain or the safety cable to the unit support surface. Choose a chain or safety cable capable of supporting 4 times the weight of the unit, including its brackets and adaptors.



Pay attention to the fixing. Tightening torque: 4.5Nm (± 0.2 Nm).



Apply thread-locker into the holes for screws (Loctite 243®).

6.6 Connector board description



The earth ground cable must always be connected to the relevant terminal (GND_INT or GND_EXT, Fig. 9, page 12).



Please refer to the figures: Fig. 9, page 12 and Fig. 10, page 13.

BOARD DESCRIPTION	
Connector	Function
J3	Ethernet
J4	Power supply
J6	Digital I/O
S1, S2	Reset to Factory Default Settings
GND_INT (internal earth ground terminal)	The GND_INT and GND_EXT are both suitable to ground the unit. Use the GND_EXT terminal if the GND earth cable cannot be passed through the cable glands (check the diameters of the cable glands allowed in the technical data section).
GND_EXT (external earth ground terminal)	

Tab. 1

6.7 Connecting the power supply

6.7.1 24Vac/24Vdc power supply



Electrical connections must be performed with the power supply disconnected and the circuit-breaker open.



When commencing installation make sure that the specifications for the power supply for the installation correspond with those required by the device.



Do not power the product using auto-transformers.



Check that the power supply socket and cable are adequately dimensioned.



Power supply cables section: from 0.75mm² (18AWG) up to 2.5mm² (13AWG).



In the case of a direct current power supply, the polarity of the voltage applied to the power supply terminal is irrelevant.

To power the unit, use the power supply units indicated in the technical data sheet of the product on the website: pelco.com, or use a toroidal transformer with nominal power of at least 200VA.

Connect the power supply cable to the relative connector (J4, Fig. 11, page 13).

Connect the ground cable to the relevant terminal (GND_INT, Fig. 11, page 13).

The power cables must be sized according to the ratio between the supply current and the distance to be covered.

If the product is powered by two sources of power simultaneously (24V and PoE 90W), only the 24V line will be used, disabling the PoE 90W power supply.

The removable connector is supplied in the kit.

6.7.2 PoE 90W power supply

The product can be powered by 90W PoE according to standard IEEE 802.3bt (CLASS 8).

The PoE injector must have at least 90W power.

By default, the product is configured to work according to standard IEEE 802.3bt.

The use of the POE190-BT Injector is highly recommended.

If the product is powered by two sources of power simultaneously (24V and PoE 90W), only the 24V line will be used, disabling the PoE 90W power supply.


There are two DIP switches inside the base, which are set by default as below:

- S1-DIP2 = OFF
- S2-DIP1 = OFF

For correct product operation, always leave S1-DIP2 and S2-DIP1 in the default position (S1 Fig. 9, page 12 and S2 Fig. 10, page 13).

6.8 Alarms and relays connections

 **Signal cables section: from 0.14mm² (26AWG) up to 1mm² (17AWG).**

 **Maximum relay voltage and current: 30Vac /30Vdc max, 1A.**

 **Alarm inputs: 2 (auto-powered from 12Vdc up to 18Vdc).**

Connect the digital I/O cable to the relative connector (J6, Fig. 11, page 13 and Fig. 11, page 13).

The maximum cable length for each alarm is 200m.

The removable connector is supplied in the kit.

CONNECTION OF THE ALARM INPUTS AND RELAYS	
Terminals	Description
RL1A, RL1B, RL2A, RL2B	Dry contacts of the two relays which can be activated via alarm or by user command
AL1, AL2, COM	Self-powered alarm inputs referred to the shared terminal

Tab. 2

The device can be equipped with a washing system as an accessory. Connect the pump activation signal cable to the indicated relay: RL2A, RL2B.

6.9 Ethernet cable connection

Use of Ethernet cables with the following characteristics is highly recommended:


- Minimum cable features: Class D (ISO/IEC11801:1995) or Category 5 (ANSI/EIA/TIA-568-A:1995).

- Shielded twisted cable (STP).
- 4 pair.
- Maximum DC Loop Resistance: 250ohm.

Connect the ethernet cable to the relative connector (J3, Fig. 11, page 13).

If the product is powered by 90W PoE, the ground cable must be connected to the relevant terminal (GND_EXT, Fig. 11, page 13).

6.10 Installation of the upper body

 **Installation of the upper body must take place with the base not powered.**


Check the LED indicated in the figure is off (Fig. 12, page 13).

Check the gasket on the base is in good condition and positioned correctly (Fig. 13, page 13).

Place the unit body on the base aligning the reference marks. Be especially careful not to damage internal components during installation (Fig. 14, page 14).

To avoid scratching the product with the hexagonal wrench, align the groove on the body of the product with the screw before screwing it in (Fig. 15, page 14).

Fasten the upper unit to the base using the 3 fixing screws (Fig. 16, page 14).

 **Pay attention to the fixing. Tightening torque: 4.5Nm (±0.2Nm).**

 **Apply thread-locker into the holes for screws (Loctite 222®).**

7 Switching on



Ensure the unit and the other components of the system are appropriately closed to prevent contact with live parts.



Make sure that all parts are fastened down firmly and safely.



The automatic pre-heating (De-Ice) process could be started whenever the device is switched on and the ambient temperature is below 0°C (+32°F). The procedure is necessary to guarantee correct operation of the devices even at low temperatures. The duration ranges depending on environmental conditions (from 60 minutes up to 120 minutes).

The unit is switched on by connecting the power supply.

To switch off the unit disconnect the power.

8 Maintenance



Before carrying out any type of maintenance, read the "Safety rules" chapter carefully in the product manual.



CAUTION! Device installation and maintaining must be performed by specialist technical staff only.

When contacting PELCO for assistance please provide the serial number and the identification code of the model.

Use only PELCO original spare parts.

9 Cleaning

9.1 Cleaning of the window and external surfaces of the product



Avoid ethyl alcohol, solvents, hydrogenated hydrocarbide, strong acid and alkali. Such products may irreparably damage the surface.

We recommend using a soft cloth with neutral soap diluted with water or specific products to clean the lenses.

10 Information on disposal and recycling

The European Directive 2012/19/EU on Waste Electrical and Electronic Equipment (WEEE) mandates that these devices should not be disposed of in the normal flow of municipal solid waste, but they should be collected separately in order to optimize the recovery stream and recycling of the materials that they contain and to reduce the impact on human health and the environment due to the presence of potentially hazardous substances.



The symbol of the crossed out bin is marked on all products to remember this.

The waste may be delivered to appropriate collection centers, or may be delivered free of charge to the distributor where you purchased the equipment at the time of purchase of a new equivalent or without obligation to a new purchase for equipment with size smaller than 25cm (9.8in).

For more information on proper disposal of these devices, you can contact the responsible public service.

PELCO

Pelco, Inc.
625 W. Alluvial Ave., Fresno, California
93711 United States
(800) 289-9100 Tel
(800) 289-9150 Fax
+1 (559) 292-1981 International Tel
+1 (559) 348-1120 International Fax
www.pelco.com

Sommaire

1 À propos de ce mode d'emploi.....	2
1.1 Conventions typographiques.....	2
2 Notes sur le copyright et informations sur les marques de commerce.....	2
3 Normes de sécurité	2
4 Description et désignation du produit	4
4.1 Vue d'ensemble du produit.....	4
4.2 Étiquette de marquage du produit.....	4
5 Préparation du produit en vue de l'utilisation.....	5
5.1 Précautions de sécurité avant l'utilisation	5
5.2 Déballage.....	5
5.3 Contenu	5
5.4 Élimination sans danger des matériaux d'emballage.....	5
6 Installation	6
6.1 Ouverture de la base du produit	6
6.2 Fixation du support.....	6
6.3 Passage des câbles.....	6
6.4 Fixage de la base au support.....	6
6.5 Fixation d'accrochage de sécurité	7
6.6 Description de la carte de connexion	7
6.7 Connexion de la ligne d'alimentation	8
6.7.1 Alimentation en 24Vac/24Vdc.....	8
6.7.2 Alimentation en PoE 90W.....	8
6.8 Branchement aux alarmes et aux relais.....	9
6.9 Branchement du câble Ethernet	9
6.10 Installation du haut du corps.....	9
7 Allumage	10
8 Entretien	10
9 Nettoyage	10
9.1 Nettoyage de la fenêtre et des surfaces externes du produit	10
10 Informations sur l'élimination et le recyclage.....	10

1 À propos de ce mode d'emploi

i Le manuel d'installation complet peut être téléchargé sur le site Web PELCO: pelco.com/products.

i Lors de la lecture du Quick Start Guide, référez-vous aux figures à la fin de ce manuel.

Avant d'installer et d'utiliser ce produit, lire attentivement toute la documentation fournie. Garder le manuel à portée de main pour des consultations successives.

1.1 Conventions typographiques

⚠ **DANGER!**
Risque élevé.
Risque de choc électrique. Sauf indication contraire, sectionner l'alimentation avant de procéder à toute opération.

⚠ **DANGER!**
Danger mécanique.
Risque d'écrasement ou de cisaillement.

⚠ **ATTENTION!**
Risque moyen.
Opération extrêmement importante en vue d'un fonctionnement correct du système. Lire avec attention les opérations indiquées et s'y conformer rigoureusement.

i **REMARQUE**
 Description des caractéristiques du système. Il est conseillé de procéder à une lecture attentive pour une meilleure compréhension des phases suivantes.

2 Notes sur le copyright et informations sur les marques de commerce

Pelco, le logo Pelco et d'autres marques associées aux produits Pelco mentionnées dans ce document sont des marques de Pelco, Inc. ou de ses affiliés.

Les autres noms ou logos mentionnés dans ce document peuvent être des marques commerciales appartenant à leurs propriétaires respectifs.

L'absence des symboles ™ et ® à côté de chaque marque dans ce document ou en général ne constitue pas une déclaration de non-propriété de la marque relative.

Couverte par une ou plusieurs revendications des brevets indiqués à l'adresse patentlist.hevcadadvance.com.

Les noms de produit ou de sociétés cités sont des marques de commerce ou des marques de commerce enregistrées.

Microsoft Edge®, Windows XP®, Windows Vista®, Windows 7®, Windows 8®, Windows 10® sont la propriété de Microsoft Corporation.

INTEL® Core™ 2 Duo, INTEL® Core™ 2 Quad, INTEL® Xeon® sont la propriété d'Intel Corporation.

ONVIF® est une marque enregistrée d'Onvif, Inc.

3 Normes de sécurité

⚠ **ATTENTION! Parties mobiles dangereuses.**
Ne pas approcher les doigts ou d'autres parties du corps.

⚠ **ATTENTION! L'installation et l'entretien du dispositif doivent être effectués exclusivement par un personnel technique qualifié.**

⚠ **ATTENTION! L'installation est du type TNV-1. Ne pas la connecter à des circuits SELV.**

⚠ **ATTENTION! Pour réduire les risques d'incendie, utiliser uniquement des câbles certifiés UL Listed ou CSA de sections égales ou supérieures à 0.14mm² (26AWG).**



ATTENTION! Le projecteur à LED à lumière infra-rouge émet une lumière à forte intensité invisible. Pour de plus amples informations sur la configuration et l'utilisation, consultez le manuel de l'accessoire projecteur.



ATTENTION! Le projecteur à LED à lumière blanche émet une lumière à forte intensité. Pour de plus amples informations sur la configuration et l'utilisation, consultez le manuel de l'accessoire projecteur.



Durant le fonctionnement normal, la surface du projecteur peut atteindre des températures élevées. Éviter le contact direct et positionner l'appareil dans un endroit non accessible au personnel non autorisé. Avant de la toucher, éteindre le dispositif d'illumination et le laisser refroidir durant 10 minutes minimum.

- Sectionner l'alimentation avant de procéder à toute opération.
- Les matériels sont destinés à être installés dans des EMPLACEMENTS À ACCÈS RESTREINT de la part d'un personnel technique spécialisé.
- Le fabricant décline toute responsabilité pour les dommages éventuels dus à une utilisation non appropriée des appareils mentionnés dans ce manuel. On réserve en outre le droit d'en modifier le contenu sans préavis. La documentation contenue dans ce manuel a été rassemblée et vérifiée avec le plus grand soin. Le fabricant, cependant, ne peut assumer aucune responsabilité dérivant de l'emploi de celle là. La même chose vaut pour chaque personne ou société impliquées dans la création et la production de ce manuel.
- Ne pas utiliser de câbles usés ou endommagés.
- Ne procéder sous aucun prétexte à des modifications ou des connexions non prévues dans ce manuel. L'utilisation d'appareils non adéquats peut comporter des dangers graves pour la sécurité du personnel et de l'installation.
- Utiliser uniquement des pièces de rechange d'origine. Les pièces non d'origine peuvent être source d'incendies, de choc électrique ou autres.
- Avant de procéder à l'installation, contrôler que le matériel fourni correspond à la commande et examiner les étiquettes de marquage (4.2 Étiquette de marquage du produit, page 4).
- Cet appareil est conçu pour être fixé et relié de manière permanente sur un bâtiment ou une structure adéquate. L'appareil doit être fixé et relié de manière permanente avant d'effectuer toute opération.
- En cas d'alimentation à 24 Vac, une coupure appropriée de la ligne d'alimentation AC doit être prévue, en fournissant une isolation double ou renforcée entre la ligne d'alimentation principale et le circuit secondaire.
- L'installation électrique doit être équipée d'un sectionneur de réseau facile à reconnaître et à utiliser en cas de nécessité.
- Ce produit appartient à la Classe A. Dans un milieu résidentiel ce produit peut être la cause de radioperturbations. Dans ce cas il est préférable de prendre des mesures appropriées.
- Raccorder le système à une source d'alimentation conforme à celle figurant sur l'étiquette de marquage du produit. Avant de procéder à l'installation, vérifier que la ligne électrique est sectionnée. La tension d'alimentation ne doit pas dépasser les limites: 24Vac $\pm 10\%$, 24Vdc $\pm 10\%$.
- La borne de terre disponible dans le produit doit être connecté en permanence à la terre.
- Il faut, uniquement pour les produits marqués UL alimentés à 24Vac, utiliser un transformateur UL listed Classe 2, conforme aux normes en vigueur.
- En cas de transport du dispositif, faire preuve d'une attention extrême. Tout arrêt brusque, dénivellements et chocs violents risque de l'endommager et d'entraîner des blessures.

- Pour être conforme aux règlements sur les chutes et les coupures de tension d'alimentation, veuillez utiliser un onduleur (UPS) approprié pour alimenter l'appareil.
- Le câble Ethernet Cat5e/Cat6 blindé (STP) est nécessaire pour garantir la totale conformité aux exigences des normes CEM.
- Pour répondre aux exigences de la Norme sur les Applications Ferroviaires EN 50121-4 une alimentation externe ou un injecteur PoE conforme aussi à la norme EN 50121-4 doit être utilisé(e).
- L'appareil comprend des parties mobiles. S'assurer que l'unité est positionnée dans une zone non accessible pendant le fonctionnement.
- Appliquer l'étiquette Parties mobiles dangereuses près de l'unité. (Fig. 1, page 5).
- Ne pas utiliser l'appareil en présence de substances inflammables.
- Ne pas laisser l'appareil à portée des enfants ou de personnes non autorisées.
- L'appareil n'est considéré comme désactivé que quand l'alimentation est enlevée et les câbles de branchement avec d'autres dispositifs ont été enlevés.
- L'entretien du dispositif doit uniquement être effectué par un personnel qualifié. Durant les opérations d'entretien, l'opérateur est exposé au risque d'électrocution ou autres.
- Utiliser uniquement les accessoires indiqués par le fabricant. Toute modification non approuvée expressément par le fabricant entraînera l'annulation de la garantie.
- Adopter les précautions utiles pour éviter d'endommager l'appareil à la suite de décharges électrostatiques.
- L'unité a été réalisée pour un branchement avec câble tripolaire. Se conformer aux indications fournies dans ce manuel pour un branchement correct du circuit de terre.
- Manipuler avec soin l'unité, toute sollicitation mécanique importante risque de l'endommager.

4 Description et désignation du produit

4.1 Vue d'ensemble du produit

Le produit se compose des pièces suivantes (Fig. 2, page 11):

1. Double toit.
2. Corps.
3. Base.

4.2 Étiquette de marquage du produit



Avant de procéder à l'installation, contrôler que le matériel fourni correspond à la commande et examiner les étiquettes de marquage.



Une étiquette conforme au marquage CE est apposée sur le produit (Fig. 3, page 11).

L'étiquette indique:

- Code d'identification du modèle.
- Tension d'alimentation (Volt).
- Fréquence (Hertz).
- Courant absorbé (Ampere) ou puissance absorbée (Watt).
- Degré de protection (IP).
- Numéro de série.

5 Préparation du produit en vue de l'utilisation



Toute modification non approuvée expressément par le fabricant entraînera l'annulation de la garantie.

5.1 Précautions de sécurité avant l'utilisation



L'appareil comprend des parties mobiles. S'assurer que l'unité est positionnée dans une zone non accessible pendant le fonctionnement. Appliquer l'étiquette fournie avec l'appareil près de l'objet et en position visible.



Fig. 1

5.2 Déballage



Sur l'unité, une fine pellicule d'huile peut être présente, due au joint. Cette pellicule d'huile n'a pas d'effet sur les performances mécaniques de l'unité. Consulter les instructions de nettoyage au chapitre correspondant (9 Nettoyage, page 10).

Lors de la livraison du produit, vérifier que l'emballage est en bon état et l'absence de tout signe évident de chute ou d'abrasion.

En cas de dommages évidents, contacter immédiatement le fournisseur.

En cas de retour du produit défectueux, il est conseillé d'utiliser l'emballage original pour le transport.

Conserver l'emballage en cas de nécessité d'expédition du produit pour réparation.

5.3 Contenu

Contrôler que le contenu correspond à la liste matériel indiquée ci-dessous:

- Caméra Esprit® Compact
- Double toit
- Emballage des accessoires:
 - Clé Allen
 - Connecteur d'alimentation
 - Connecteur I / O
 - Étiquette (ATTENTION: Parties mobiles dangereux)
 - Joint en caoutchouc de réduction, pour câble alarmes, pour presse-étoupes M16
 - Joint en caoutchouc de réduction, pour câble Ethernet avec connecteur préassemblé, pour presse-étoupe M20
- Manuel d'instructions
- Plaque d'accrochage de chaîne de sécurité
- Vis pour fixation du toit pare-soleil

5.4 Élimination sans danger des matériaux d'emballage

Le matériel d'emballage est entièrement composé de matériaux recyclables. Le technicien chargé de l'installation est tenu de l'éliminer conformément aux dispositions en matière de collecte sélective et selon les normes en vigueur dans le pays d'utilisation.

6 Installation

6.1 Ouverture de la base du produit

Pour éviter de rayer le produit avec la clé hexagonale, aligner le creux du corps du produit avec la vis à visser (Fig. 4, page 11).

Dévissez les trois vis placées à la base du produit (Fig. 5, page 11).

6.2 Fixation du support

⚠ Accorder une attention particulière aux systèmes de fixation de l'appareil. Si l'appareil doit être fixé à une surface en béton, utiliser des chevilles avec un couple de traction de 300dN chacune. En cas de surface métallique, utiliser des vis d'un diamètre minimum de 8mm et d'une longueur adéquate. Le système de fixation doit pouvoir supporter au moins 4 fois le poids de l'équipement complet (produit, accessoires, supports et adaptateurs).

⚠ L'appareil doit être monté en position verticale. Tout autre position compromettrait le bon fonctionnement du système.

Divers supports et accessoires sont disponibles.

Choisir le support adapté pour l'installation à réaliser.

Installez les supports et les accessoires en option en suivant les manuels d'instructions fournis avec le support ou l'accessoire.

6.3 Passage des câbles

⚠ Les câbles doivent être adéquatement fixés à la structure afin d'éviter que le poids excessif provoque son extraction accidentelle.

⚠ Les câbles utilisés doivent être conformes au type d'installation.

⚠ Diamètre de la gaine des câbles multipolaires:

Presse-étoupes M16: de 4.5mm jusqu'à 10mm.

Presse-étoupes M20: de 8mm jusqu'à 13mm.

Insérez les câbles dans les presse-étoupes (Fig. 7, page 12).

Dans le cas d'un câble avec connecteur pré-assemblé, remplacer le joint à l'intérieur du presse-étoupe par le modèle fourni avec le produit. Insérer le câble Ethernet dans le joint comme le montre la figure (Fig. 6, page 12). Faire passer le câble avec connecteur RJ45 dans le presse-étoupe M20.

Serrer les presse-étoupes.


⚠ Faire attention pendant la fixation. Couple de serrage : 1.5Nm (±0.2Nm) pour presse-étoupes M16, 2Nm (±0.2Nm) pour presse-étoupes M20.

Si le câble n'est pas présent à l'intérieur du presse-étoupe, laissez insérer le bouchon de fermeture à l'opposé. Fermez toujours les presse-étoupes avec le couple de serrage spécifié.

6.4 Fixage de la base au support


i Pour obtenir des précisions sur l'installation de la caméra avec des supports et accessoires, consulter le manuel qui les accompagne.


6.5 Fixation d'accrochage de sécurité

 **Accorder une attention particulière aux systèmes de fixation de l'appareil. Si l'appareil doit être fixé à une surface en béton, utiliser des chevilles avec un couple de traction de 300dN chacune. En cas de surface métallique, utiliser des vis d'un diamètre minimum de 8mm et d'une longueur adéquate. Le système de fixation doit pouvoir supporter au moins 4 fois le poids de l'équipement complet (produit, accessoires, supports et adaptateurs).**

Le produit peut être équipé d'un crochet de sécurité pour le sécuriser à un deuxième point de fixation à l'aide d'une chaîne ou d'un câble de sécurité.


Positionnez l'accrochage de sécurité et fixez-le avec la vis et la rondelle fournies comme illustré en figure (Fig. 8, page 12).

 **Utilisez un point d'ancrage externe pour fixer la chaîne ou le câble de sécurité à la surface de support de l'appareil. Choisissez une chaîne ou un câble de sécurité pouvant supporter au moins quatre fois le poids de l'appareil, supports et adaptateurs compris.**

 **Faire attention pendant la fixation. Couple de serrage: 4.5Nm (± 0.2 Nm).**

 **Appliquer sur les trous des vis un produit de freinage du filet (Loctite 243°).**

6.6 Description de la carte de connexion

 **Le câble de terre doit toujours être branché à la borne correspondante (GND_INT ou GND_EXT, Fig. 9, page 12).**

 **Reportez-vous aux figures: Fig. 9, page 12 et Fig. 10, page 13.**

DESCRIPTION DE LA CARTE	
Connecteur	Fonction
J3	Ethernet
J4	Alimentation
J6	I/O numériques
S1, S2	Restauration des paramètres d'usine
GND_INT (mise à la terre intérieure)	GND_INT et GND_EXT sont tous les deux adaptés pour la mise à la terre de l'unité. Utiliser la borne GND_EXT en cas d'impossibilité de faire passer le câble de terre GND dans les presse-étoupes (voir les diamètres des presse-étoupes acceptés en section caractéristiques techniques).
GND_EXT (mise à la terre extérieure)	

Tab. 1

6.7 Connexion de la ligne d'alimentation

6.7.1 Alimentation en 24Vac/24Vdc



Il faut effectuer les connexions électriques en absence d'alimentation et lorsque le dispositif de sectionnement ouvert.



Contrôler que les sources d'alimentation et les câbles de branchement sont en mesure de supporter la consommation du système.



N'alimentez pas le produit avec des autotransformateurs.



Vérifier que la source et le câble d'alimentation sont adéquatement dimensionnés.



Section des câbles d'alimentation: de 0.75mm² (18AWG) jusqu'à 2.5mm² (13AWG).



Dans le cas d'une alimentation en courant continu, la polarité de la tension appliquée à la borne d'alimentation est sans importance.

Pour alimenter l'unité, utiliser les alimentations indiquées sur la fiche technique du produit disponible sur le site web : pelco.com, ou utiliser un transformateur toroïdal d'une puissance nominale d'au moins 200VA.

Brancher le câble Ethernet au connecteur correspondant (J4, Fig. 11, page 13).

Connectez le câble de terre à la borne correspondante (GND_INT, Fig. 11, page 13).

Les câbles d'alimentation devront être dimensionnés en fonction du rapport entre le courant d'alimentation et la distance à couvrir.

Si le produit est alimenté par deux sources d'énergie en même temps (24V et PoE 90W), seule la ligne en 24V sera utilisée, avec désactivation de l'alimentation PoE 90W.

Le connecteur amovible est fourni.

6.7.2 Alimentation en PoE 90W

Le produit peut être alimenté en PoE 90W selon la norme IEEE 802.3bt (CLASSE 8).

L'injecteur PoE doit avoir une puissance d'au moins 90W.

Par défaut, le produit est configuré pour fonctionner selon la norme IEEE 802.3bt.

L'utilisation de l'injecteur POE190-BT est vivement conseillée.

Si le produit est alimenté par deux sources d'énergie en même temps (24V et PoE 90W), seule la ligne en 24V sera utilisée, avec désactivation de l'alimentation PoE 90W.

À l'intérieur de la base se trouvent deux DIP switches qui sont configurés par défaut comme suit :

- S1-DIP2 = OFF
- S2-DIP1 = OFF

Pour que le produit fonctionne correctement, toujours laisser S1-DIP2 et S2-DIP1 en position par défaut (S1 Fig. 9, page 12 et S2 Fig. 10, page 13).

6.8 Branchement aux alarmes et aux relais

 **Section des câbles de signal: de 0.14mm² (26AWG) jusqu'à 1mm² (17AWG).**

 **Tension et courant maximum de relais: 30Vac/30Vdc max, 1A.**

 **Entrées alarmes: 2 (alimentation automatique de 12Vdc jusqu'à 18Vdc).**

Branchez le câble des entrées/sorties numériques au connecteur correspondant (J6, Fig. 11, page 13 et Fig. 11, page 13).

La longueur maximale du câble de chaque alarme est de 200 m.

Le connecteur amovible est fourni.

CONNEXION DES ENTRÉES D'ALARME ET DES RELAIS	
Bornes	Description
RL1A, RL1B, RL2A, RL2B	Contacts secs des deux relais activables par alarme ou par commande utilisateur
AL1, AL2, COM	Entrées d'alarme auto-alimentées relatives à la borne commune

Tab. 2

Le dispositif peut être équipé d'une installation de lavage comme accessoire. Branchez le câble du signal d'activation de la pompe au relais indiqué: RL2A, RL2B.

6.9 Branchement du câble Ethernet

Nous recommandons l'utilisation de câbles Ethernet ayant les caractéristiques suivantes:


- Caractéristiques minimales du câble : Classe D (ISO/IEC11801:1995) ou Catégorie 5 (ANSI/EIA/TIA-568-A:1995).

- Câble tressé blindé (STP).
- 4 couples.
- Résistance en boucle CC maximale: 250Ohm.

Branchez le câble Ethernet au connecteur correspondant (J3, Fig. 11, page 13).

Si le produit est alimenté en PoE 90W il est nécessaire de brancher le câble de terre à la borne correspondante (GND_EXT, Fig. 11, page 13).

6.10 Installation du haut du corps

 **La partie supérieure du corps doit être installée quand la base n'est pas alimentée.**


Vérifiez que la LED indiqué sur la figure est éteint (Fig. 12, page 13).

Vérifiez que le joint de la base est en bon état et correctement positionné (Fig. 13, page 13).

Placez le corps de l'appareil sur la base en alignant les encoches de référence. Veillez à ne pas abîmer les composants intérieurs lors de l'installation (Fig. 14, page 14).

Pour éviter de rayer le produit avec la clé hexagonale, aligner le creux du corps du produit avec la vis à visser (Fig. 15, page 14).

Fixer l'unité supérieure à la base avec les 3 vis de fixation (Fig. 16, page 14).

 **Faire attention pendant la fixation. Couple de serrage: 4.5Nm (±0.2Nm).**

 **Appliquer sur les trous des vis un produit de freinage du filet (Loctite 222®).**

7 Allumage



S'assurer que l'unité et les autres composants de l'installation sont fermés correctement afin d'éviter le contact avec des parties sous tension.



Ne pas stationner à proximité du dispositif sous tension. N'intervenir sur le dispositif qu'avec l'alimentation coupée.



La procédure de préchauffage automatique (De-Ice) peut être activée chaque fois que le dispositif est mis en fonction à une température ambiante inférieure à 0°C. La procédure permet de garantir un fonctionnement correct du dispositif également à basse température. La durée varie en fonction des conditions climatiques (de 60 minutes jusqu'à 120 minutes).

Il suffit de brancher l'alimentation électrique pour allumer l'unité.

Débrancher l'alimentation électrique pour éteindre l'unité.

8 Entretien



Avant tout type d'intervention, lire avec attention le chapitre "Normes de sécurité" dans le manuel du produit.



ATTENTION! L'installation et l'entretien du dispositif doivent être effectués exclusivement par un personnel technique qualifié.

Lorsque vous contactez le service technique de PELCO, il est nécessaire de fournir le numéro de série et le code d'identification du modèle.

Utiliser uniquement des pièces détachées PELCO.

9 Nettoyage

9.1 Nettoyage de la fenêtre et des surfaces externes du produit



On doit éviter alcool éthylique, solvants, hydrocarbures hydro-génés, acides forts et alcali. L'emploi de ce type de produits abîme d'une façon irréparable la surface traitée.

Il est conseillé d'utiliser un chiffon souple avec des savons neutres dilués avec de l'eau ou des produits spécifiques pour le nettoyage des verres des lunettes.

10 Informations sur l'élimination et le recyclage

La Directive Européenne 2012/19/UE sur les déchets d'équipements électriques et électroniques (DEEE) exige que ces dispositifs ne doivent pas être éliminés dans le flux normal de déchets solides municipaux, mais ils doivent être collectés séparément afin d'optimiser le flux de récupération et de recyclage des matériaux qu'ils contiennent et pour réduire l'impact sur la santé humaine et l'environnement en raison de la présence de substances potentiellement dangereuses.



Le symbole de la poubelle sur roues barrée d'une croix figure sur tous les produits pour le rappeler.

Les déchets peuvent être livrés aux centres de collecte appropriés ou peuvent être livrés gratuitement au distributeur où vous avez acheté l'équipement, au moment de l'achat d'un nouvel dispositif équivalent ou sans obligation d'achat pour un équipement de taille inférieure de 25cm.

Pour plus d'informations sur l'élimination correcte de ces dispositifs, vous pouvez contacter le service public responsable.

PELCO

Pelco, Inc.
625 W. Alluvial Ave., Fresno, California
93711 United States
(800) 289-9100 Tel
(800) 289-9150 Fax
+1 (559) 292-1981 International Tel
+1 (559) 348-1120 International Fax
www.pelco.com

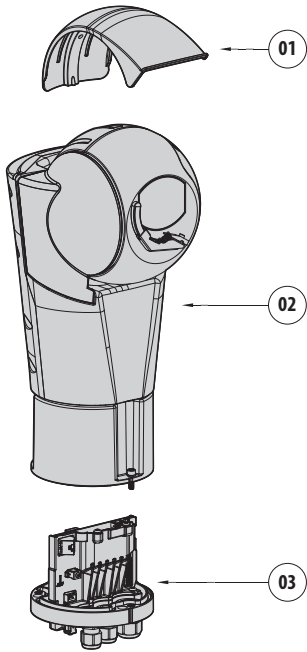


Fig. 2

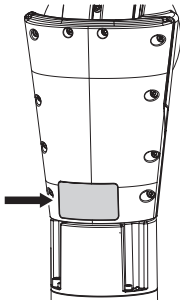


Fig. 3

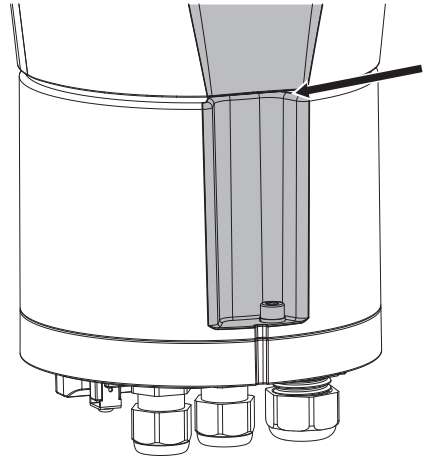


Fig. 4

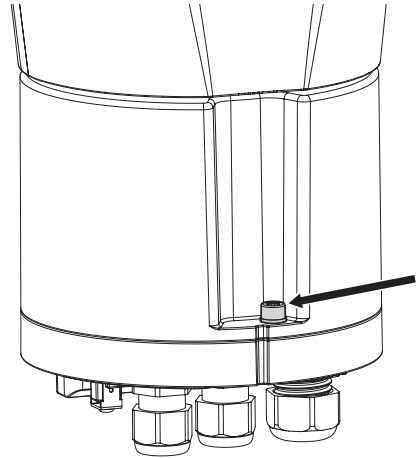


Fig. 5

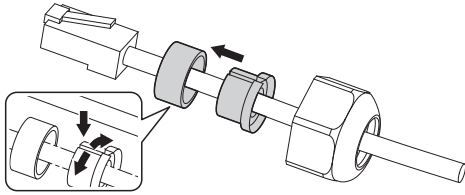


Fig. 6

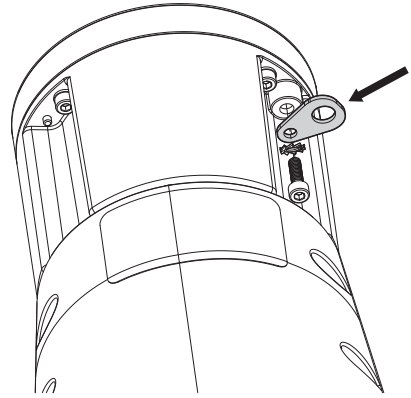


Fig. 8

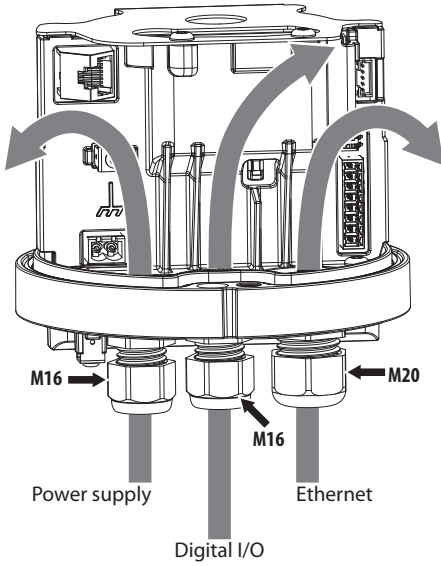


Fig. 7

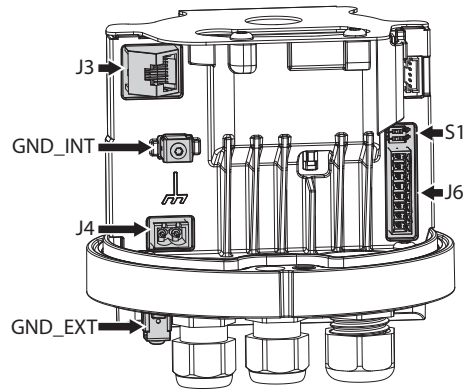


Fig. 9

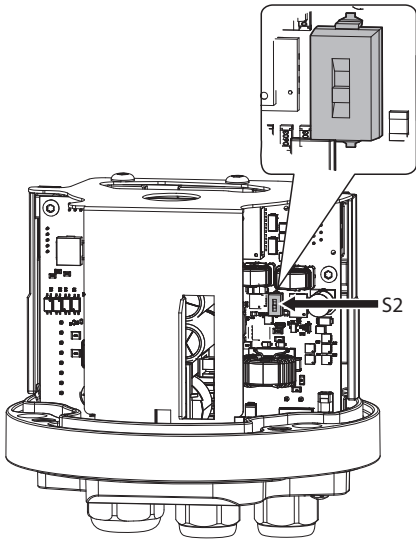


Fig. 10

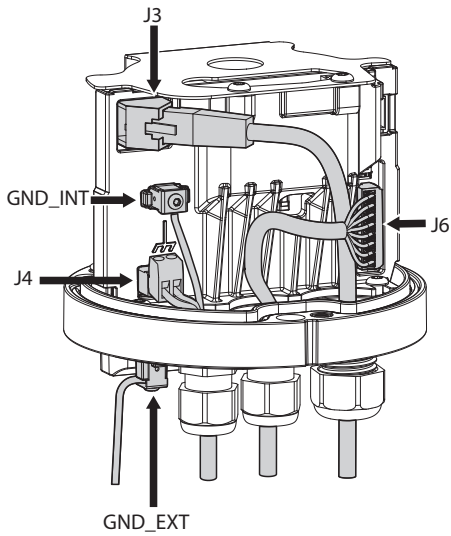


Fig. 11

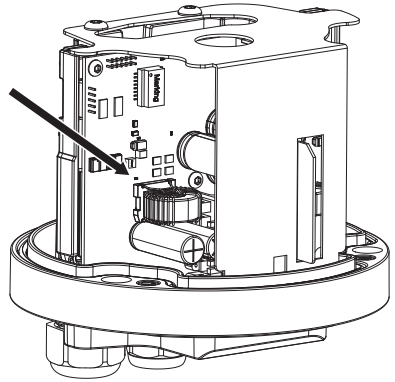


Fig. 12

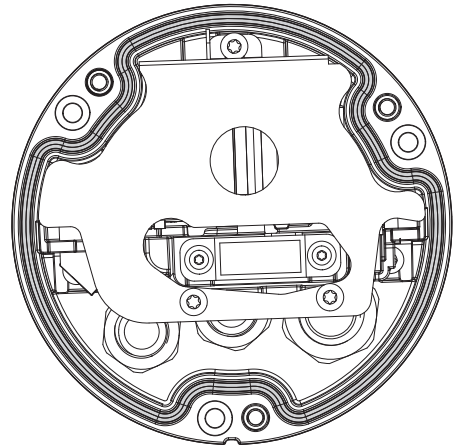


Fig. 13

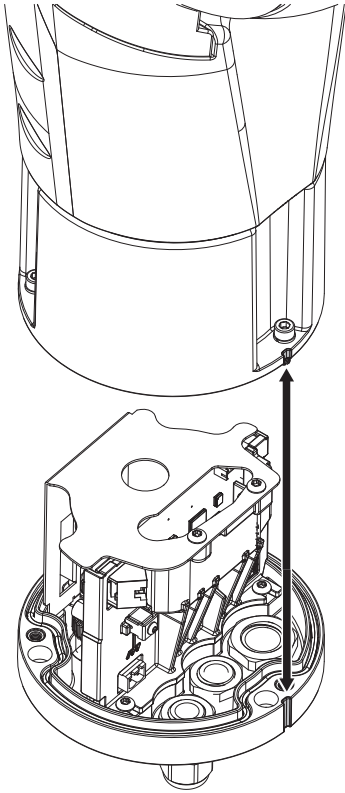


Fig. 14

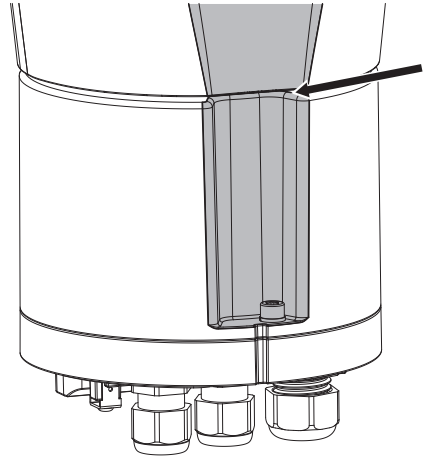


Fig. 15

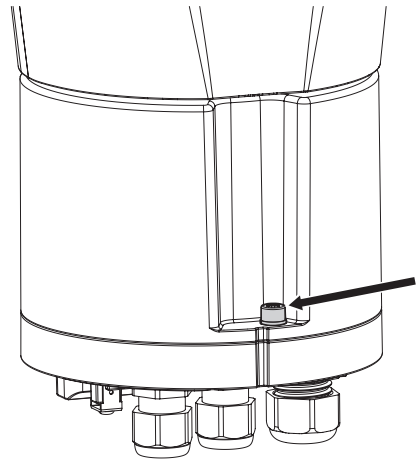


Fig. 16



FELCO

Pelco, Inc.
625 W. Alluvial Ave., Fresno, California
93711 United States
(800) 289-9100 Tel
(800) 289-9150 Fax
+1 (559) 292-1981 International Tel
+1 (559) 348-1120 International Fax
www.pelco.com

MNLQEVO_2220